

National Crane 9103A Wireline

Package Crane



*Machine may be shown with optional equipment.

Base 26-ton unit including the following features

Capacity: 26 USt rating

Boom lengths available:

- 31 ft - 103 ft telescoping boom (four-section)

Standard items:

- "A" type boxed slide outriggers
- Single Rear Outrigger (SRO)
- Hydraulic Capacity Alert System
- Dual engine accelerators (cable only)
- 375° non-continuous rotation
- 66 gallon oil reservoir
- Bolt-on mounting hardware
- Adjustable swing drive
- Anti two-block internal boom wiring
- Wireline sheave case and link
- Torsion resistant sub-base for a 16 ft deck
- Boom rest
- 340 ft of 9/16 in rotation resistant wire rope
- Dual side controls / operator stations
- Horn and engine stop switches
- Over-frame HO stabilizers
- Direct mount triple pump hydraulic system
- PTO / mounting not included
- Two owner's manuals
- Wireline winch
- Painted "platinum" gray
- Complete ship-out package
- Hour meter
- Outrigger motion alarms
- Back-up alarm
- Remote start
- Ball valve in hydraulic tank
- Round headache ball with top swivel
- Outrigger monitoring system

9103A W/L

Changes within package machine options can be made up to 30 days prior to ship date as published on online order board. Any non-package machine option changes for package machine orders will result in normal price list discount and delivery terms and require full lead time for delivery (currently four months). Non-package machine orders will be subject to normal terms and conditions on price and delivery. Package machine pricing is only available on ship-outs or Manitowoc-supplied trucks. Payment terms: Price quoted ex-works net 15 days. Prices subject to change without prior notice. Any additional counterweight needed will be added as needed and invoiced at the amount noted on the pricelist. This will not result in loss of package machine terms. General specifications are current as of the date of this price list and are subject to change. The purchaser is responsible for all freight and ancillary costs from Shady Grove, PA. Quotation does not include any ancillary items or services. Service/delivery/warranty work per current Manitowoc CraneCARE policies. Prices do not include any taxes or tariffs that, if applicable, are the purchaser's responsibility. **Dealer must be a participating dealer in PSL Program to use Package Pricing.**

**NATIONAL
CRANE**
by Manitowoc

National Crane 9103A Wireline

Package Crane

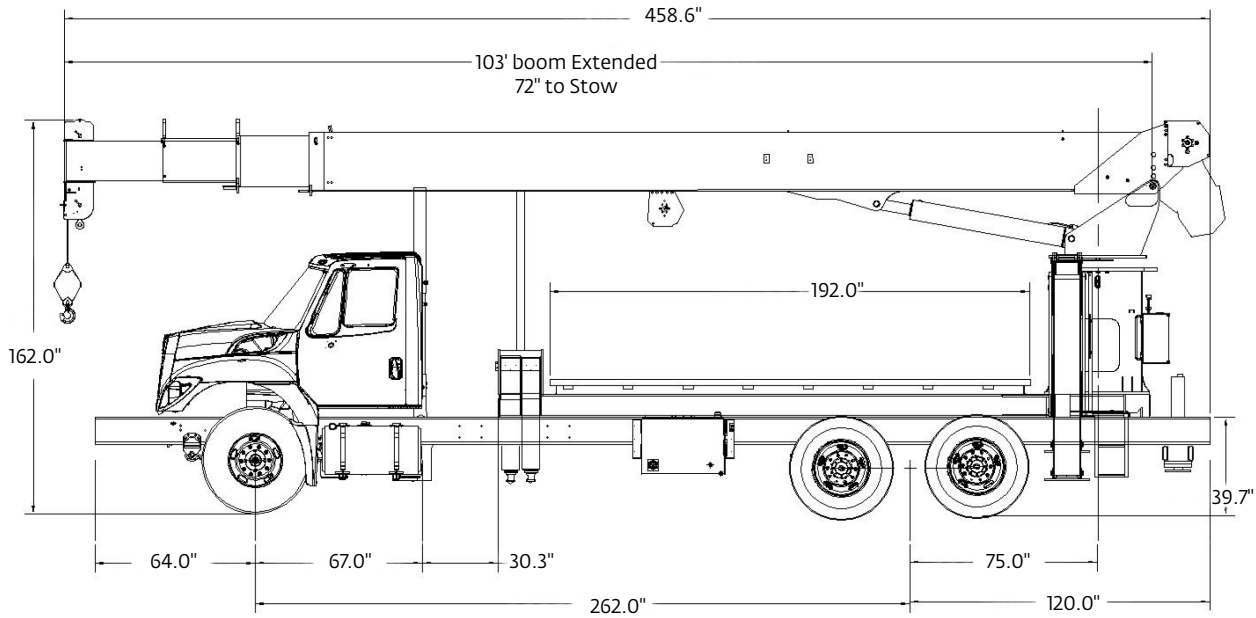
Optional items:

- 16 ft steel deck (for ship-out kits)
- LB 2-3 line block

Optional factory mounting includes:

Air shift PTO, hydraulic oil, transmission grease, steel 30 in solid wall bulkhead, electronic engine throttle (EET), Neutral safety switch and ICC safety kit (ISK). Includes installation of rear mount torsion box, behind-cab out-and-down outriggers and single rear outrigger 16 ft steel flatbed, boom rest, bulkhead, and electronic engine throttle.

Dimensional data and estimated weight of base crane package:



| Weight analysis | | | | |
|-----------------|-----------|--------------|-----------|--|
| | Front | | Rear | |
| 103 ft boom | 10,080 lb | bare truck | 8300 lb | |
| | 14,941 lb | mounted unit | 31,469 lb | |

Trucks available:

2011 IH7600

Truck with Navistar 410 HP (EPA-10), 20,000 lb FAWR, 40,000 lb RAWR, 60,000 lb GVWR, 80 gallon fuel tank, Fuller RTO-16908LL manual transmission, 260 in wheelbase with 192 in cab to axle, A/C in truck cab, AM/FM radio. White colored truck cab.